

3MP HD Dual Light Network PT Camera

Uho-P1A-M3F4D



Key Features



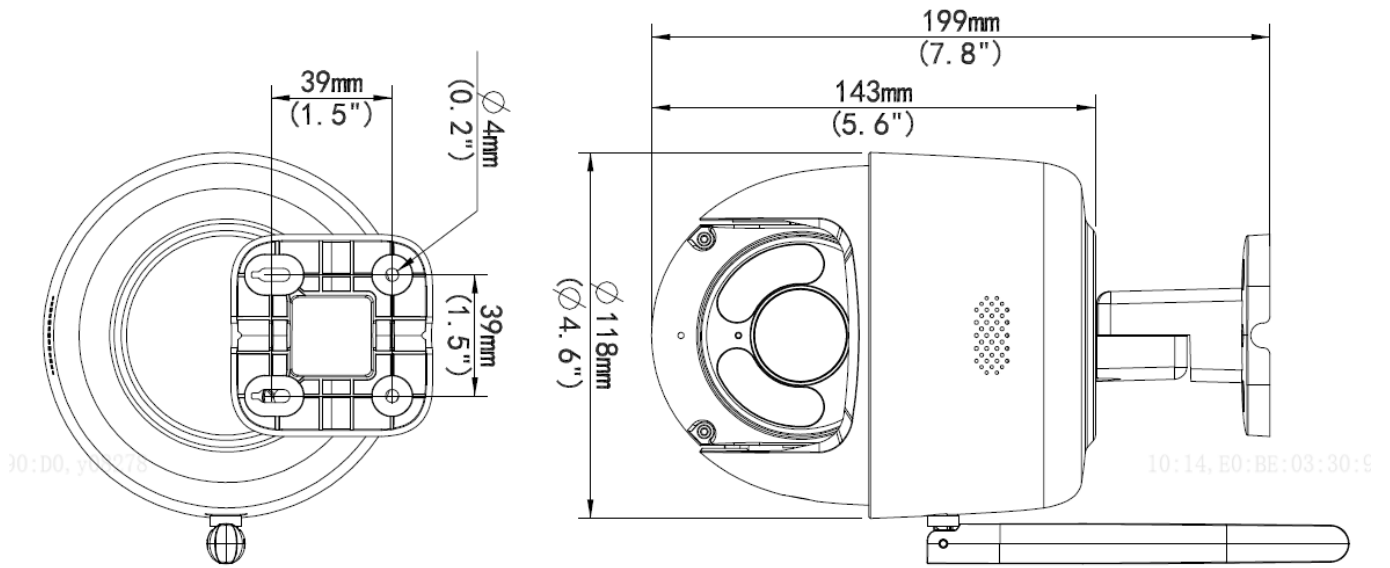
- 2304*1296@20fps in the main stream
- Ultra 265, H.265, H.264
- Support cross line detection and intrusion detection
- Support digital WDR (Wide Dynamic Range)
- Built-in Mic & Speaker, support two-way audio, offer better interaction
- Support sound and light warning, makes warning and alarming more noticeable
- Smart IR, up to 30 m (98 ft) IR and 30m (98 ft) warm light distance, suitable for more scenes
- Self-contained bracket, support two kinds of mounting
- Supports 256 GB Micro SD card
- Wi-Fi connection and easy installation
- IP66 ingress protection
- The front face is made of grapheme, which has better heat dissipation and more environmental protection

Specifications

| | | | | | |
|-------------------------|---|----------------|---------------|---------------|--------------|
| Camera | | Uho-P1A-M3F4D | | | |
| Sensor | 1/2.8" progressive scan, 3.0 megapixel, CMOS | | | | |
| Min. Illumination | Colour:0.005 lux (F1.6,AGC ON) 0 lux with IR | | | | |
| Day/Night | IR-cut filter with auto switch (ICR) | | | | |
| Shutter | Auto/Manual, shutter time: 1s ~ 1/100000s | | | | |
| WDR | Digital | | | | |
| S/N | >52 dB | | | | |
| Lens | | | | | |
| Lens type | 4mm | | | | |
| Digital Zoom | 4 | | | | |
| Iris | Fixed; F1.6 | | | | |
| Field of View (H) | 90.5° | | | | |
| Field of View (V) | 44.4° | | | | |
| Field of View (D) | 111.3° | | | | |
| DORI | | | | | |
| DORI Distance | Lens (mm) | Detect (m) | Observe (m) | Recognize (m) | Identify (m) |
| | 4mm | 73.5 (241.0ft) | 29.4 (96.4ft) | 14.7 (48.2ft) | 7.3 (24.1ft) |
| Illuminator | | | | | |
| IR Range | Up to 30m (98ft) | | | | |
| Warm Light Range | Up to 30m (98ft) | | | | |
| Wavelength | 850nm | | | | |
| IR On/Off Control | Auto/Manual | | | | |
| Video | | | | | |
| Video Compression | Ultra 265, H.265, H.264 | | | | |
| Frame Rate | Main Stream: 3MP (2304*1296), Max 20fps; Sub Stream: 640*360, Max 20fps; | | | | |
| Video Bit Rate | 128 Kbps ~ 6 Mbps | | | | |
| ROI | Support | | | | |
| Video Stream | Dual streams | | | | |
| OSD | Up to 2 OSDs | | | | |
| Privacy Mask | Up to 4 areas | | | | |
| Image | | | | | |
| White Balance | Auto/Outdoor/Fine Tune/Sodium Lamp/Locked/Auto2 | | | | |
| Digital Noise Reduction | 2D/3D DNR | | | | |
| Smart IR | Support | | | | |
| Flip | Normal/Flip Vertical/Flip Horizontal/180° | | | | |
| HLC | Support | | | | |
| BLC | Support | | | | |
| Defog | Digital Defog | | | | |
| Intelligent | | | | | |
| Behavior Detection | Cross Line detection, Intrusion detection | | | | |

| | |
|------------------------|---|
| Human Body Detection | Support |
| Events | |
| Basic Detection | Motion detection, Audio detection |
| Auto tracking | Support |
| General Function | Access Policy, RTSP Authentication, User Authentication |
| Audio | |
| Audio Compression | G.711U,G.711A |
| Two-way Audio | Support |
| Suppression | Support |
| Sampling Rate | 8 kHz |
| Storage | |
| Edge Storage | Micro SD, up to 256 GB |
| Network Storage | ANR |
| Network | |
| Protocols | IPv4, TCP, UDP, DHCP, RTSP, DNS, DDNS, NTP, HTTP, HTTPS, 802.1x , SSL |
| Compatible Integration | ONVIF (Profile S, Profile G), API |
| Web Browser | Plug-in required live view: IE 10 and above |
| Pan & Tilt | |
| Pan Range | 0° ~ 345° |
| Pan Speed | 1°/s ~ 40°/s |
| | Preset speed: 40°/s |
| Tilt Range | 0° ~ 90° |
| Tilt Speed | 1°/s ~ 30°/s |
| | Preset speed: 30°/s |
| Number of Presets | 256 |
| Home Position | Support |
| Interface | |
| Built-in Mic | Support |
| Built-in Speaker | Support |
| Wi-Fi | Support |
| Network | 1 * RJ45 10M/100M Base-TX Ethernet |
| General | |
| Power | DC 12V ± 25% |
| | Power consumption: Max 10W |
| Power Interface | Ø 5.5mm coaxial power plug |
| Dimensions (Ø x H) | Φ118mm*118mm*199mm (Φ4.6"x 4.6"x 7.8") |
| Weight | 0.53kg (1.17lb) |
| Working Environment | -30°C ~ 60°C (-22°F to 140°F), Humidity: ≤95% RH(non-condensing) |
| Surge Protection | 4KV |
| Reset Button | Support |
| Protection | Ingression protection: IP66 |
| | Vandal resistant: N/A |

Dimensions



No. 369, Xietong Road, Xixing Sub-district, Binjiang District, Hangzhou City, 310051, Zhejiang Province, China

www.uniview.com

©2023 Zhejiang Uniview Technologies Co., Ltd. All rights reserved.

*Product specifications and availability are subject to change without notice.